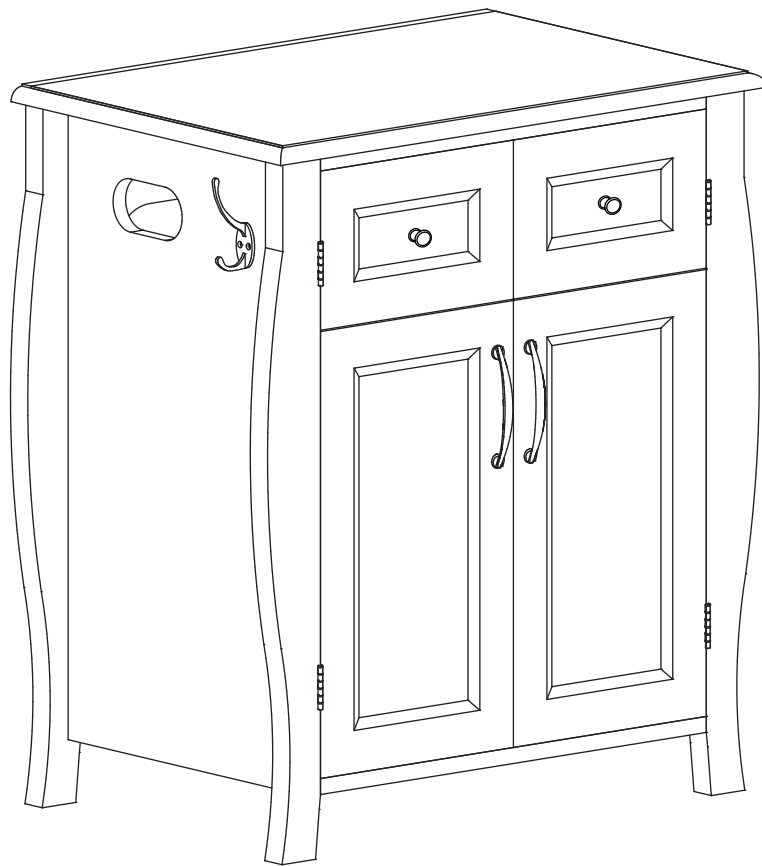


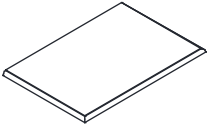

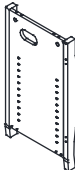
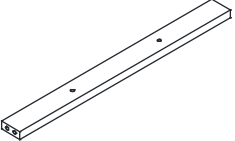
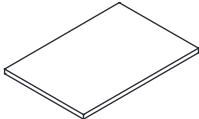
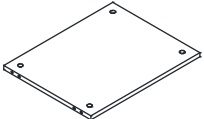
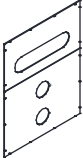

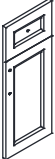
# ASSEMBLY INSTRUCTION

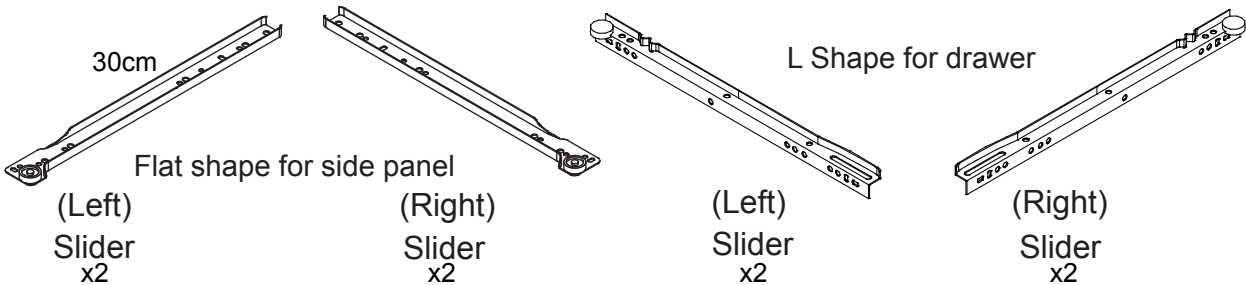
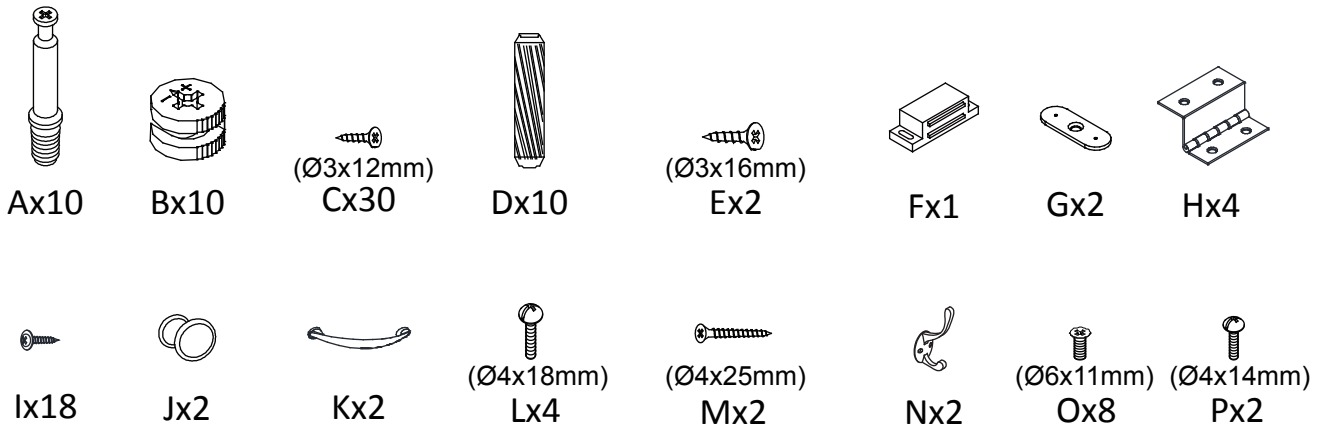
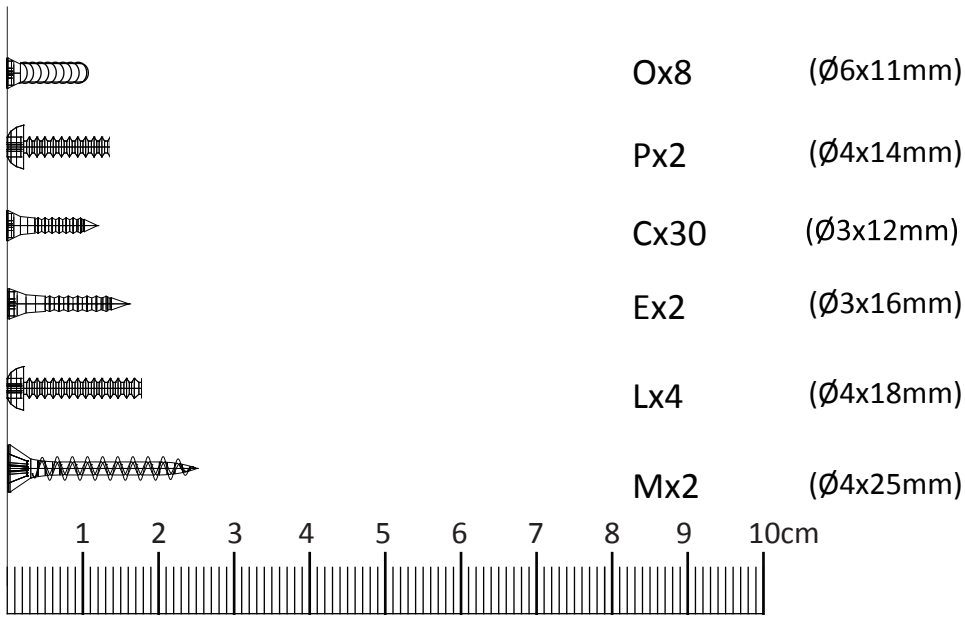
203511



# PART LIST

When unpacking, please be careful not to discard any parts with the packaging.  
Before continuing, please make sure you have the following parts:

NO	Description	Qty	Sketch	NO	Description	Qty	Sketch
1	Top panel	1		2	Left side frame	1	
3	Right side frame	1		4	Stretcher	1	
5	Shelf	2		6	Bottom panel	1	
7	Back panel	1		8	Left door panel	1	
9	Right door panel	1					

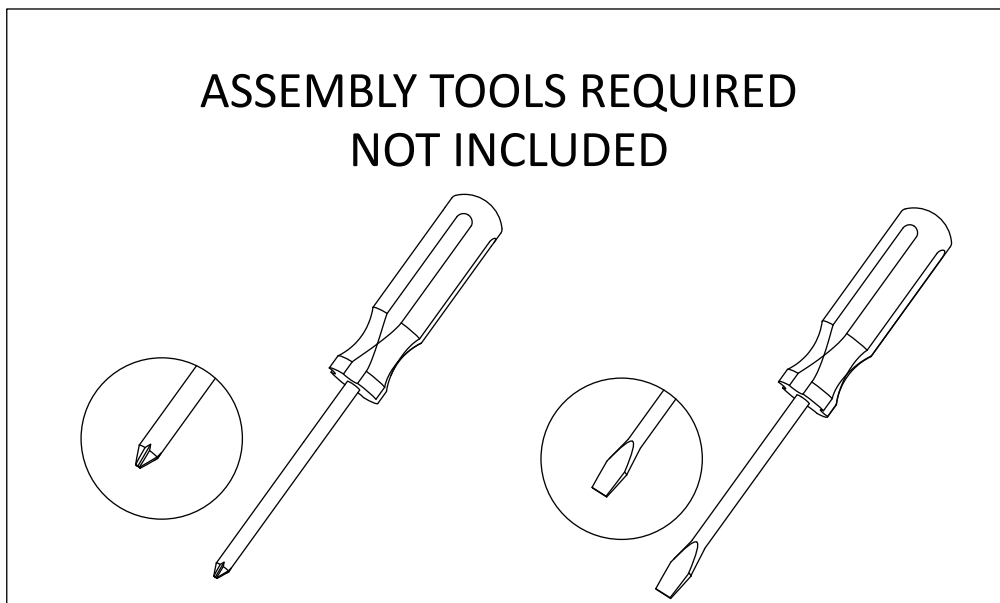


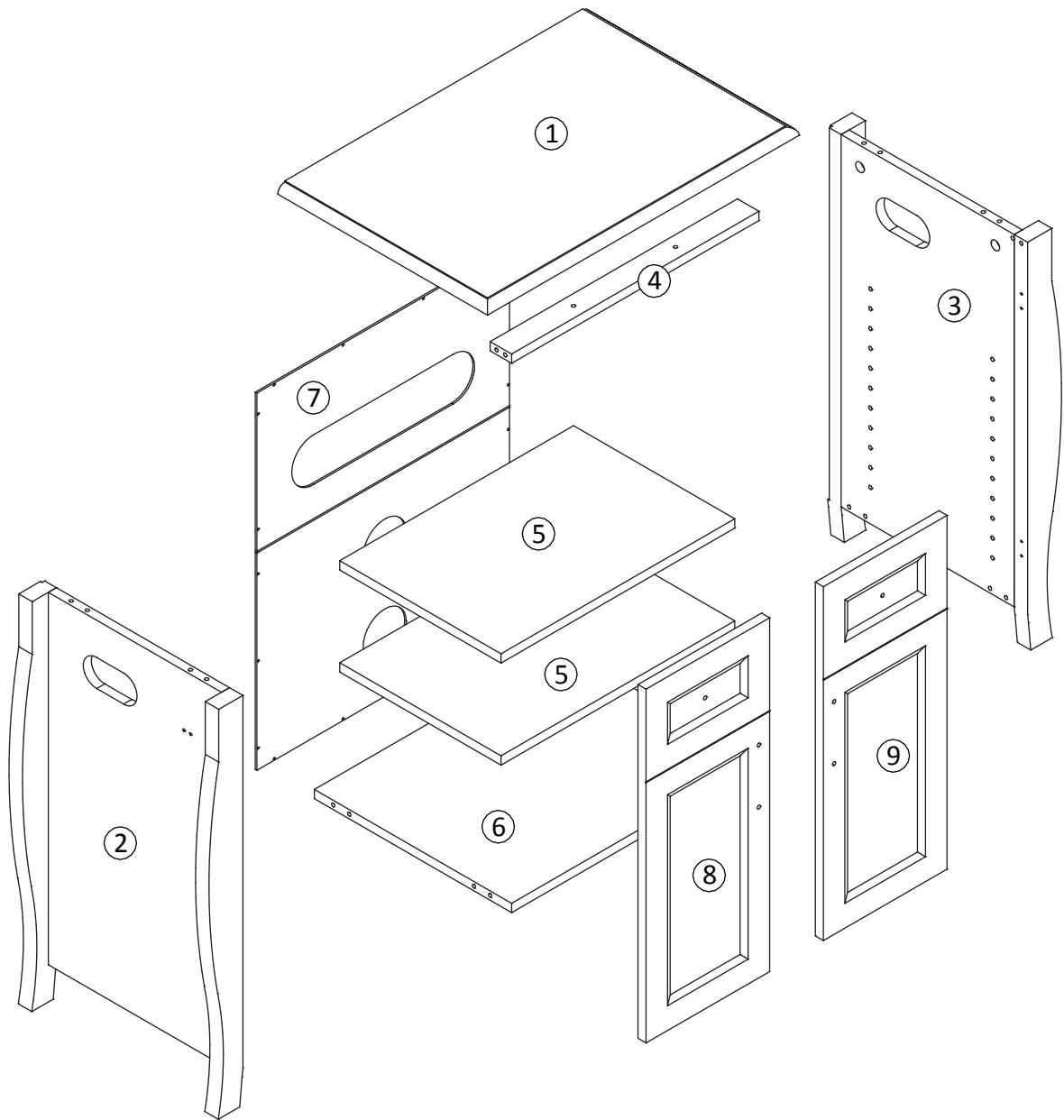
# BEFORE ASSEMBLY

Congrats on your purchase! We think you are going to love this CPAP cabinet. All parts were checked prior to packaging to ensure quality, but on rare occasion something could be missing. Prior to assembly, please make sure all parts and hardware are included and free of obvious defect. If a part is missing or defective, we'll send you a speedy replacement! Simply send us a quick email through Amazon and we'll take care of it. Go to your Orders page (from the main page, click "Orders" in the top right corner of the page) and type a keyword in the search bar for your orders. Then where it says "Sold By: Blue Sky Mercantile", click on Blue Sky Mercantile. Then click "Ask a question" in order to send us the email. OR you can call us anytime at (858) 333-6505.

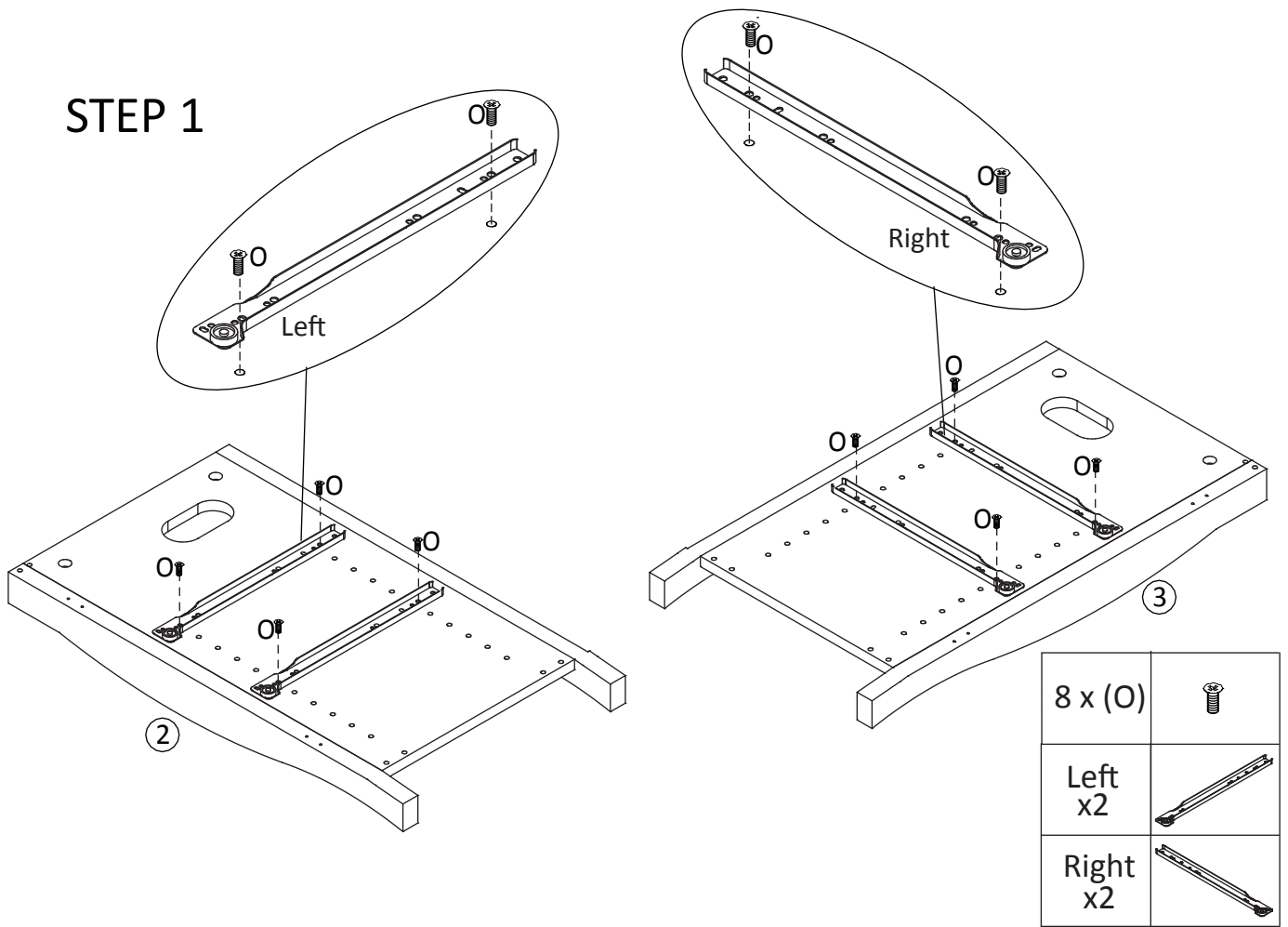
## IMPORTANT NOTE:

- Place all wooden parts on a clean and smooth surface such as a rug or carpet to avoid the parts from being scratched.
- Remove all wrapping material, including staples & packing straps before you start to assemble.
- **DO NOT** tighten all screws and bolts until completely assembled.
- Keep all hardware parts out of reach of children.

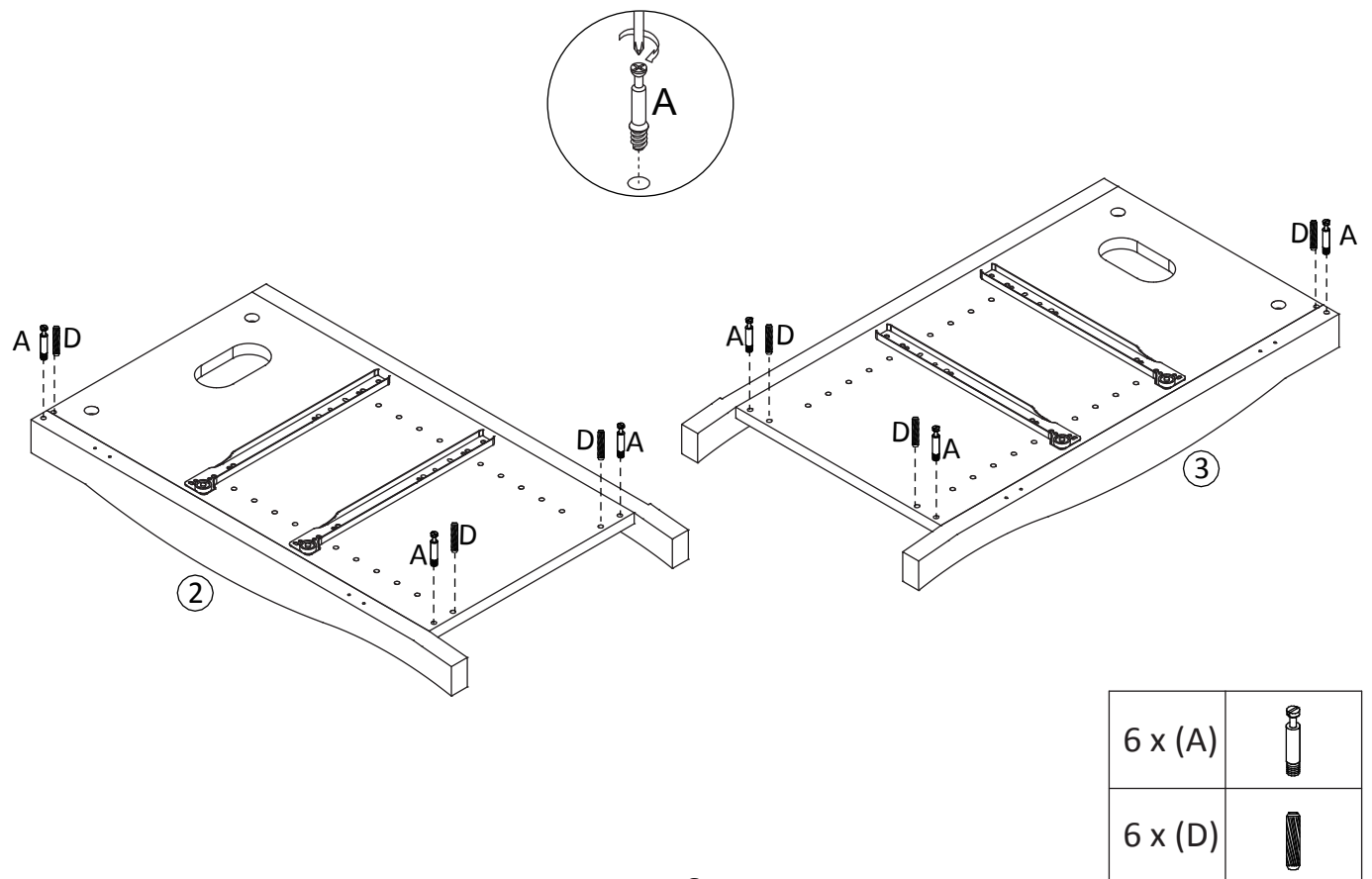




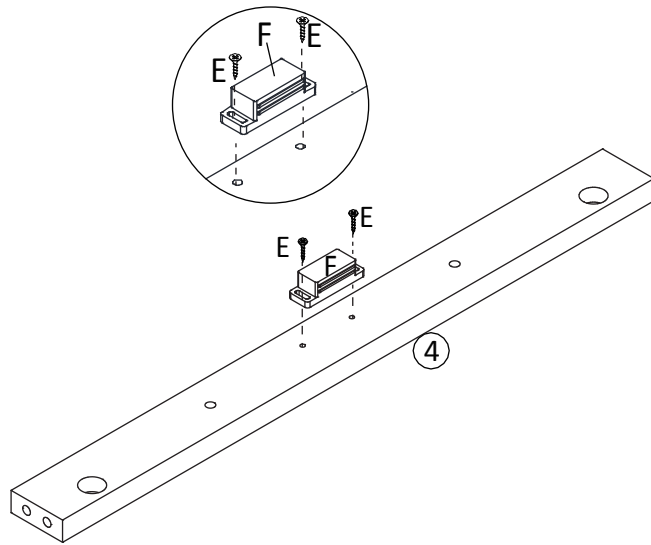
# STEP 1

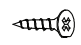
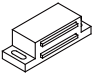


# STEP 2

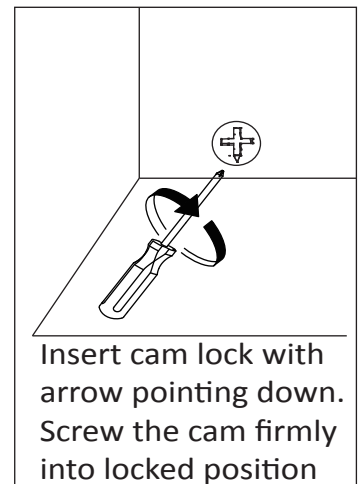
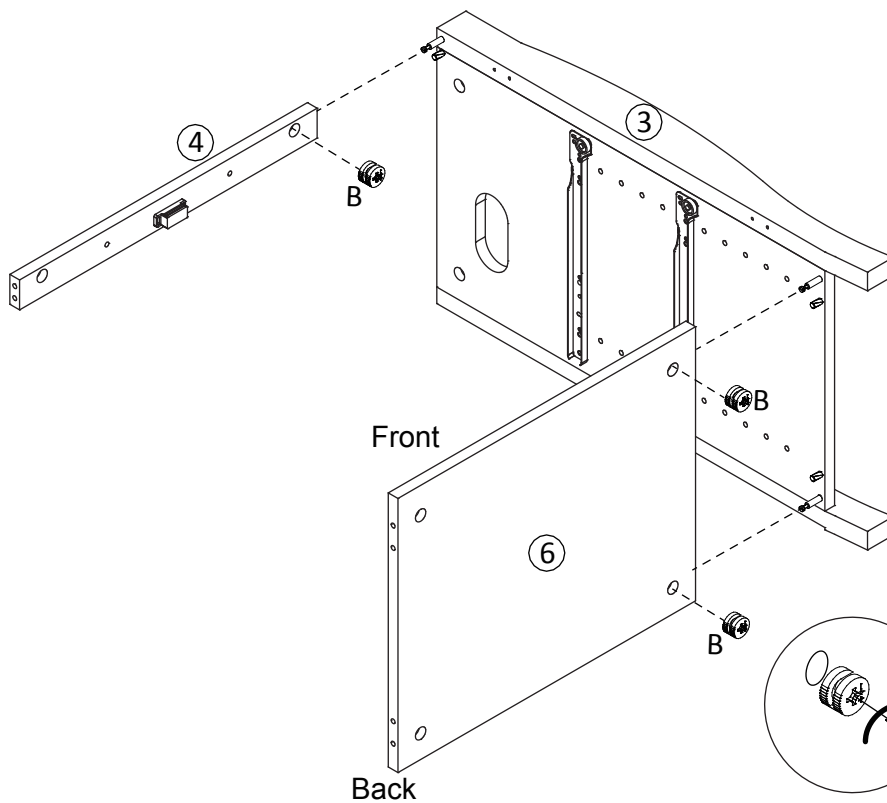



# STEP 3



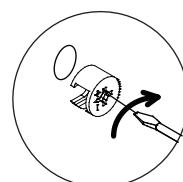
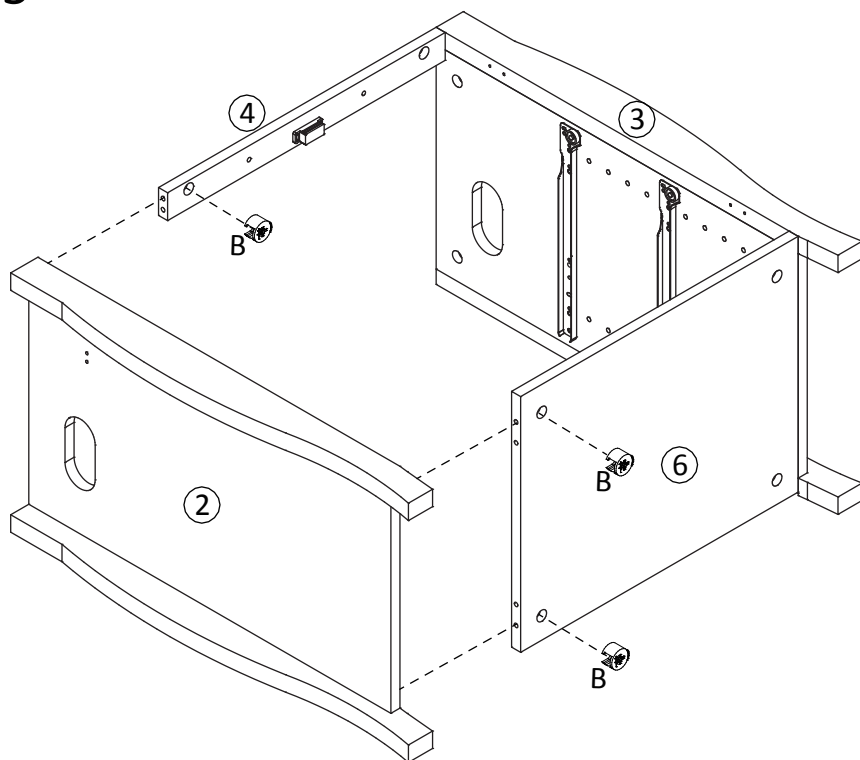
2 x (E)	
1 x (F)	

# STEP 4



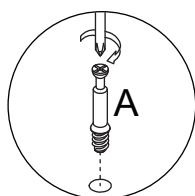
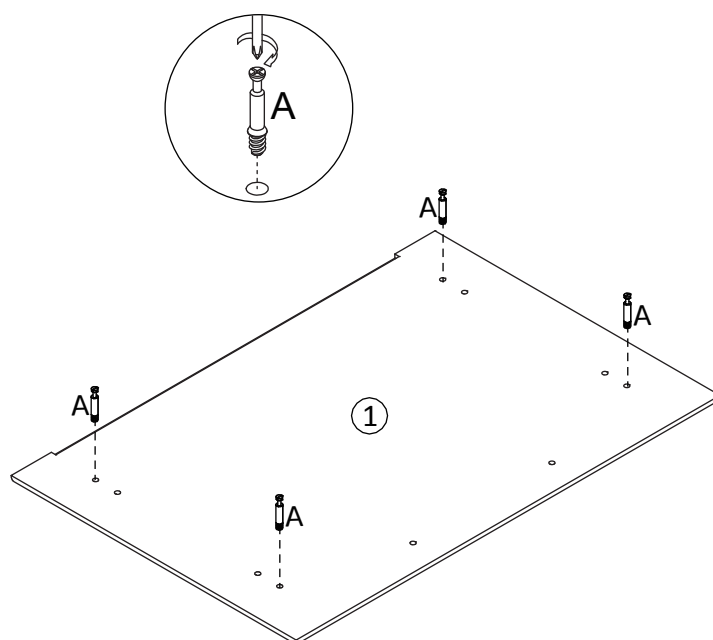
3 x (B)	
---------	---

# STEP 5



3 x (B)	
---------	--

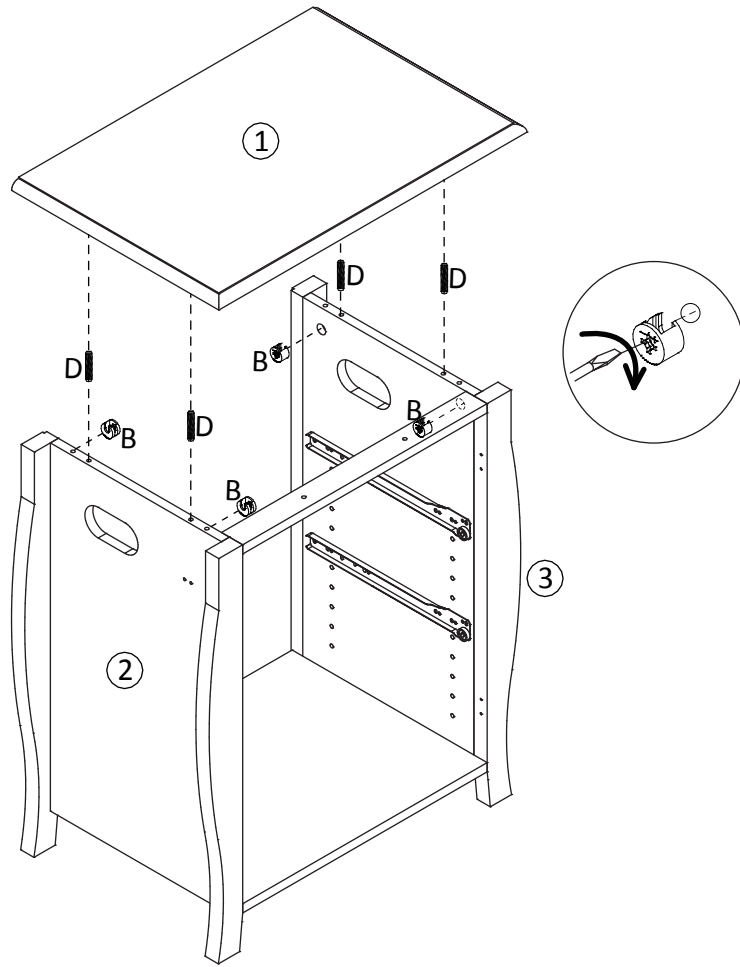
# STEP 6





4 x (A)	
---------	--

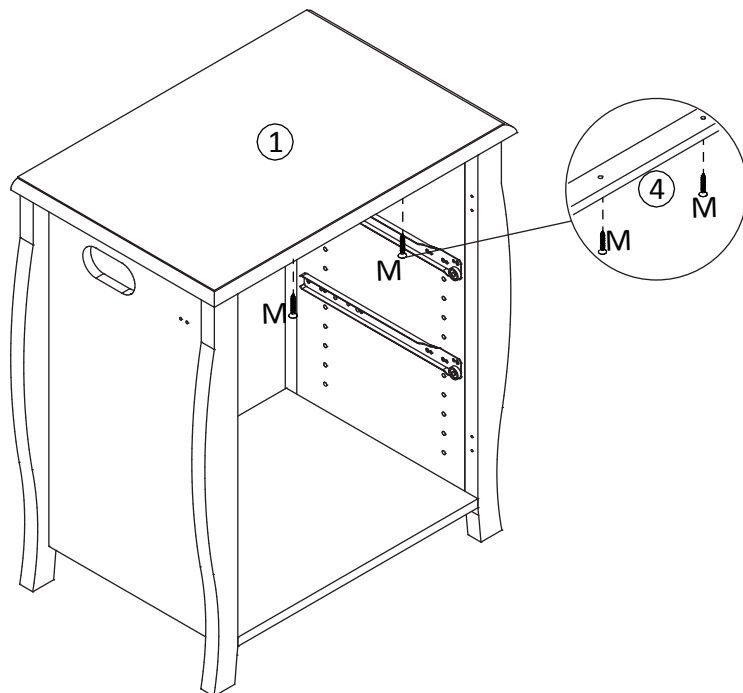



# STEP 7



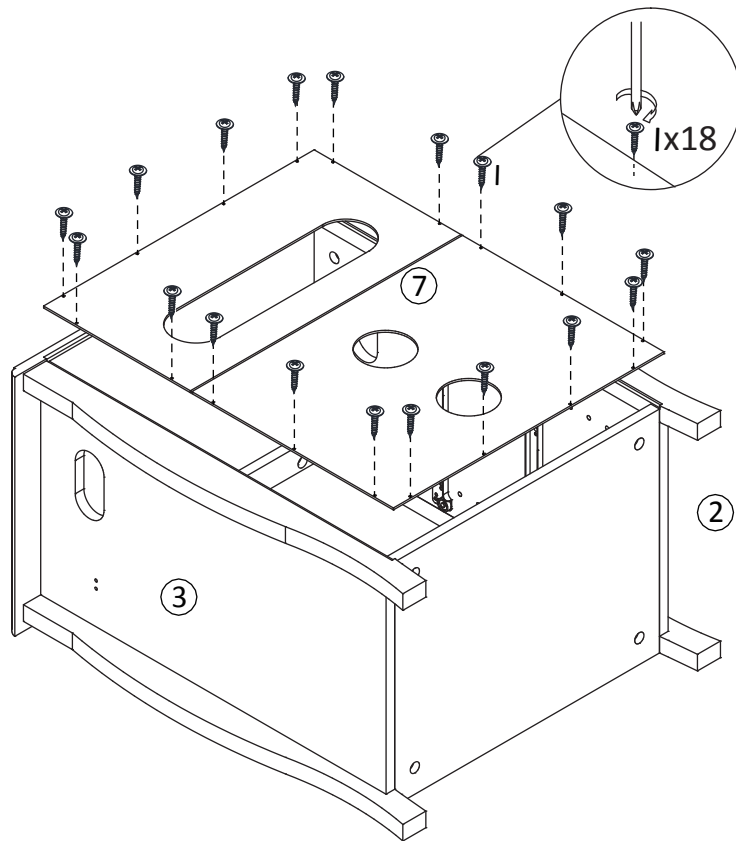
4 x (B)	
4 x (D)	


# STEP 8



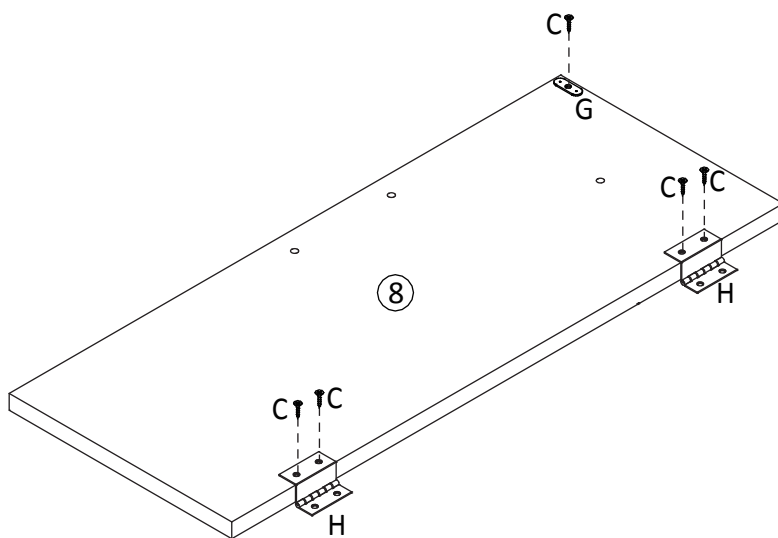
2 x (M)	
---------	---

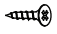


# STEP 9



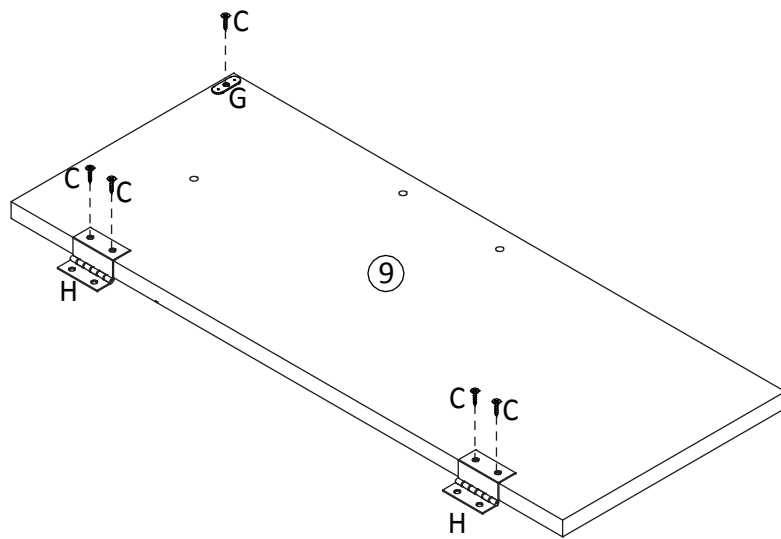
18 x (I)	
----------	--

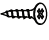


# STEP 10



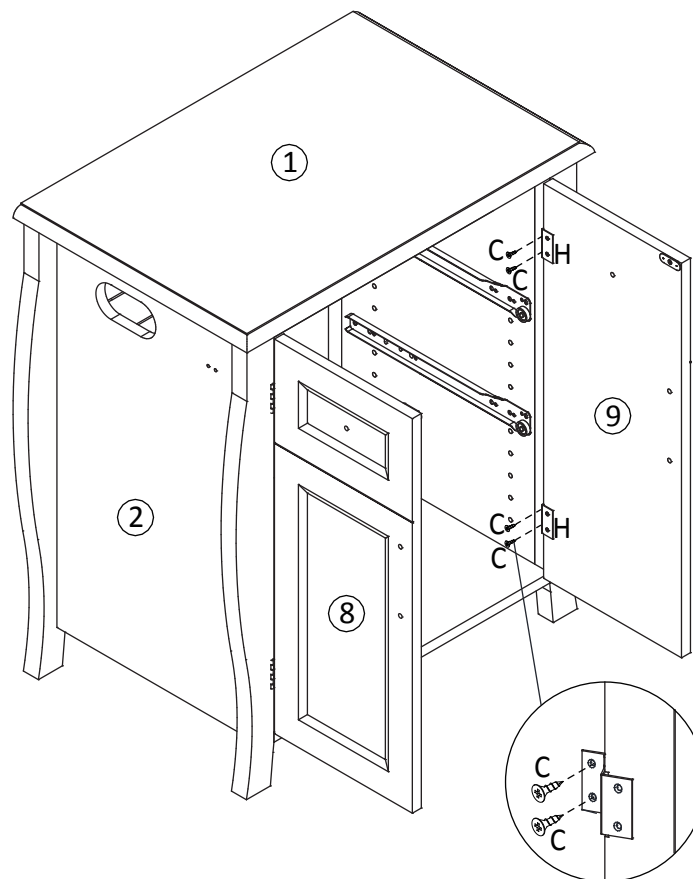
5 x (C)	
1 x (G)	
2 x (H)	

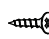
# STEP 11



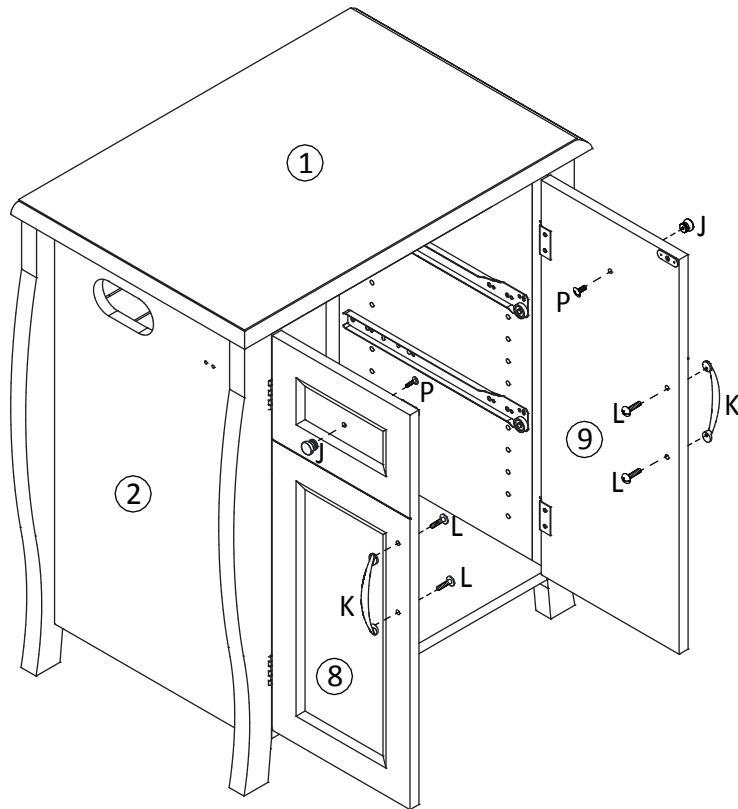
5 x (C)	
1 x (G)	
2 x (H)	

# STEP 12



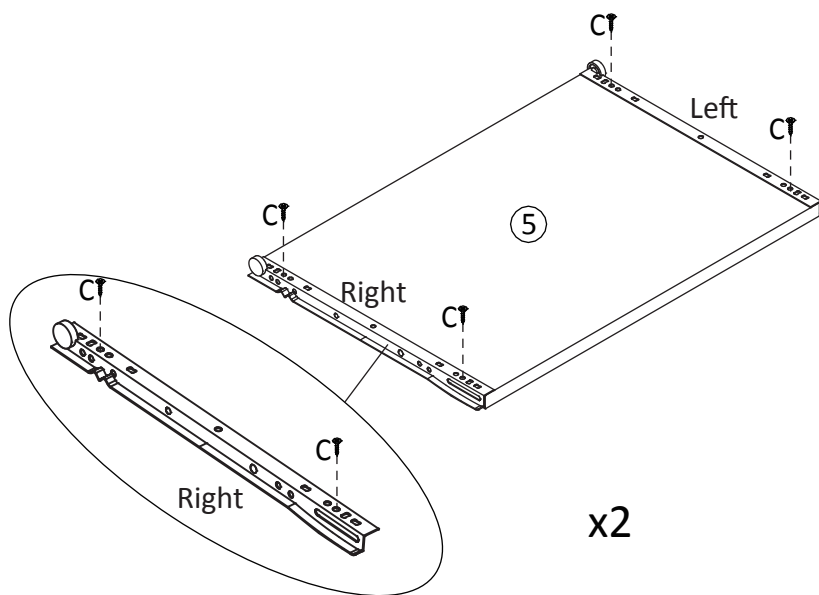
8 x (C)	
---------	---

# STEP 13



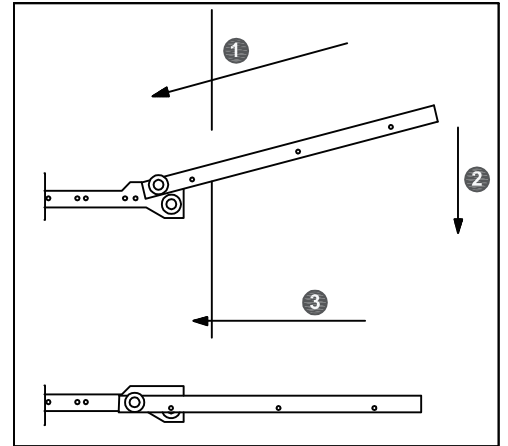
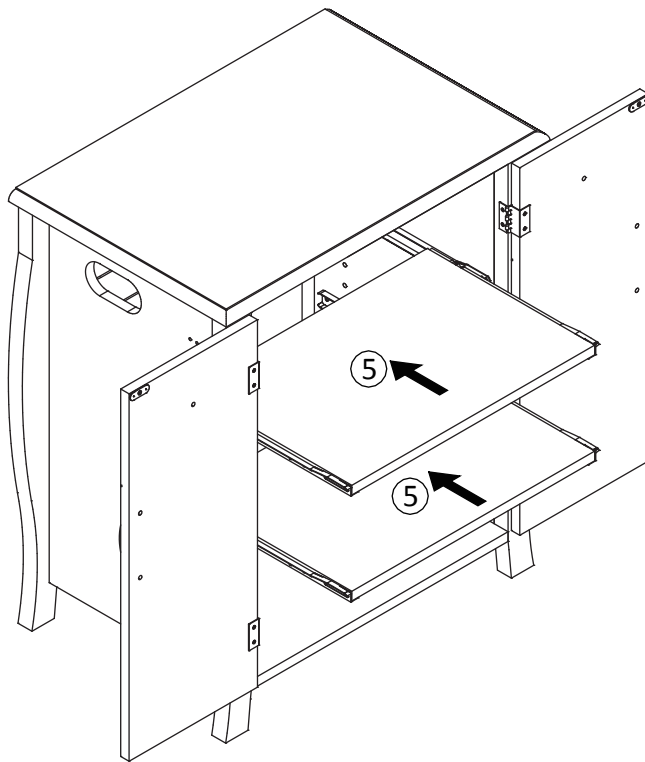
2 x (J)	
2 x (K)	
4 x (L)	
2 x (P)	

# STEP 14

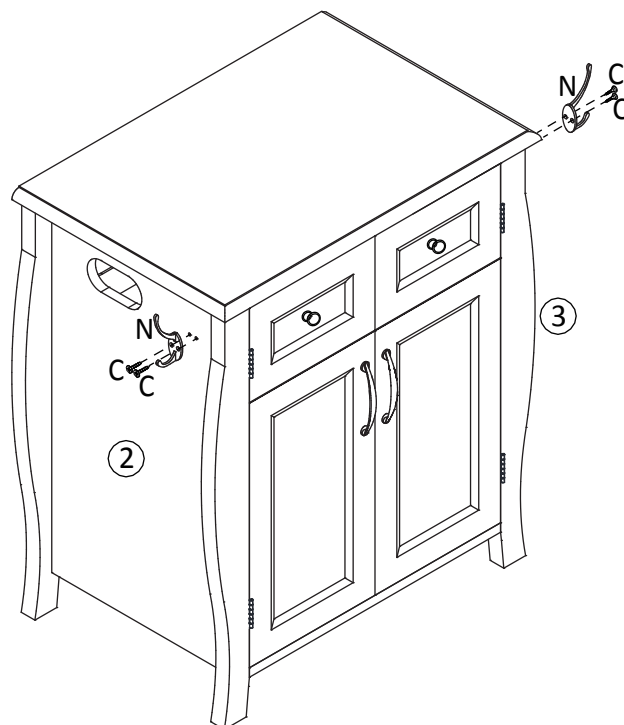


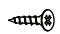
8 x (C)	
Left x2	
Right x2	

# STEP 15



# STEP 16



4 x (C)	
2 x (N)	